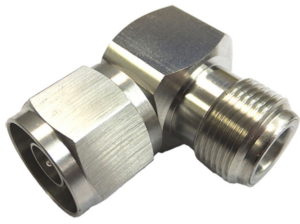


# CA-TNRNF-V2

---



Type N Male to Type N Female Right Angle Adapter

## Product Classification

|                      |         |
|----------------------|---------|
| <b>Product Type</b>  | Adapter |
| <b>Product Brand</b> | HELIAX® |

## General Specifications

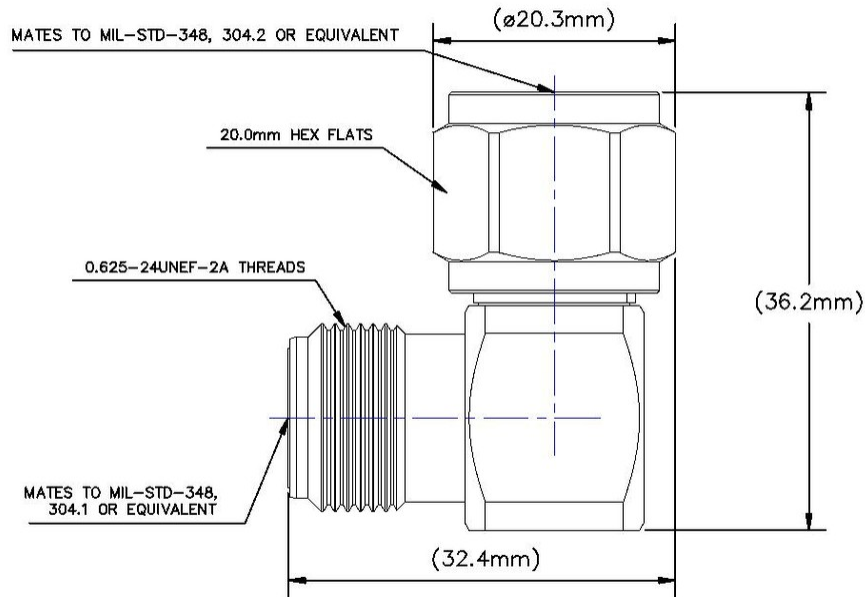
|                              |             |
|------------------------------|-------------|
| <b>Body Style</b>            | Right angle |
| <b>Inner Contact Plating</b> | Silver      |
| <b>Interface</b>             | N Male      |
| <b>Interface 2</b>           | N Female    |
| <b>Mounting Angle</b>        | Right angle |
| <b>Outer Contact Plating</b> | Trimetal    |
| <b>Pressurizable</b>         | No          |

## Dimensions

|                 |                     |
|-----------------|---------------------|
| <b>Width</b>    | 32.38 mm   1.275 in |
| <b>Length</b>   | 36.59 mm   1.441 in |
| <b>Diameter</b> | 20.25 mm   0.797 in |

## Outline Drawing

# CA-TNRNF-V2



## Electrical Specifications

|   |                   |
|---|-------------------|
| <b>Average Power at Frequency</b>           | 600.0 W @ 900 MHz |
| <b>Connector Impedance</b>                  | 50 ohm            |
| <b>dc Test Voltage</b>                      | 2500 V            |
| <b>Inner Contact Resistance, maximum</b>    | 1 mOhm            |
| <b>Insulation Resistance, minimum</b>       | 5000 MOhm         |
| <b>Operating Frequency Band</b>             | 0 – 8000 MHz      |
| <b>Outer Contact Resistance, maximum</b>    | 0.25 mOhm         |
| <b>Peak Power, maximum</b>                  | 10 kW             |
| <b>RF Operating Voltage, maximum (vrms)</b> | 707 V             |

## VSWR/Return Loss

| Frequency Band | VSWR  | Return Loss (dB) |
|----------------|-------|------------------|
| 0–3000 MHz     | 1.065 | 30.04            |
| 3000–6000 MHz  | 1.222 | 20.01            |

## Mechanical Specifications

|                                  |                        |
|----------------------------------|------------------------|
| <b>Coupling Nut Proof Torque</b> | 1.7 N-m   15.046 in lb |
|----------------------------------|------------------------|

# CA-TNRNF-V2

---

|  |                     |
|--|---------------------|
| <b>Coupling Nut Proof Torque Method</b>    | IEC 61169-16:9.3.6  |
| <b>Coupling Nut Retention Force</b>        | 450 N   101.164 lbf |
| <b>Coupling Nut Retention Force Method</b> | IEC 61169-16:9.3.11 |
| <b>Insertion Force</b>                     | 28 N   6.295 lbf    |
| <b>Insertion Force Method</b>              | IEC 61169-16:9.3.5  |
| <b>Interface Durability</b>                | 500 cycles          |
| <b>Interface Durability Method</b>         | IEC 61169-16:9.5    |
| <b>Mechanical Shock Test Method</b>        | IEC 60068-2-27      |

## Environmental Specifications

|   |                                       |
|---|---------------------------------------|
| <b>Operating Temperature</b>                      | -55 °C to +85 °C (-67 °F to +185 °F)  |
| <b>Storage Temperature</b>                        | -65 °C to +125 °C (-85 °F to +257 °F) |
| <b>Attenuation, Ambient Temperature</b>           | 20 °C   68 °F                         |
| <b>Average Power, Ambient Temperature</b>         | 40 °C   104 °F                        |
| <b>Average Power, Inner Conductor Temperature</b> | 100 °C   212 °F                       |
| <b>Climatic Sequence Test Method</b>              | IEC 60068-1                           |
| <b>Corrosion Test Method</b>                      | IEC 60068-2-11                        |
| <b>Damp Heat Steady State Test Method</b>         | IEC 60068-2-3                         |
| <b>Immersion Depth</b>                            | 1 m                                   |
| <b>Immersion Test Mating</b>                      | Mated                                 |
| <b>Immersion Test Method</b>                      | IEC 60529:2001, IP68                  |
| <b>Thermal Shock Test Method</b>                  | IEC 60068-2-14                        |
| <b>Vibration Test Method</b>                      | IEC 60068-2-6                         |

## Packaging and Weights

|                    |                    |
|--------------------|--------------------|
| <b>Weight, net</b> | 67.55 g   0.149 lb |
|--------------------|--------------------|

## Regulatory Compliance/Certifications

| <b>Agency</b> | <b>Classification</b>  |
|---------------|--|
| ISO 9001:2015 | Designed, manufactured and/or distributed under this quality management system   |
| REACH-SVHC    | Compliant as per SVHC revision on <a href="http://www.commscope.com/ProductCompliance">www.commscope.com/ProductCompliance</a> |
| ROHS          | Compliant  |

# CA-TNRNF-V2

---



\* Footnotes

**Immersion Depth**      Immersion at specified depth for 24 hours